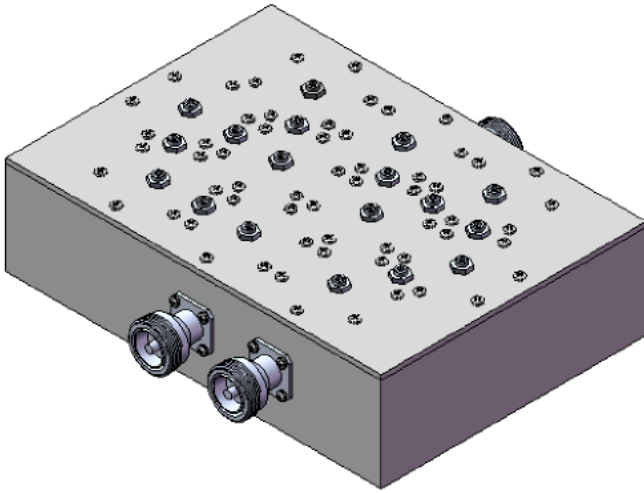


Lower 700 MHz Block A High Power Duplexer



PART NUMBER: WP-E019

- LCW's 700 MHz High Power Duplexer provides high transmit to receive selectivity while minimizing insertion loss.
- This unit is available from stock to support the installation requirement of service providers and infrastructure installers.
- The unit is available with temperature compensation and weatherproofing as an option for use in more extreme environmental conditions.

SPECIFICATIONS

Passbands Receive Transmit	698-704 MHz 728-734 MHz
Passband Insertion Loss	0.8 dB max
Passband Return Loss	18 dB min
Antenna to Receive Rejection 698-704 MHz	75 dB min
Antenna to Transmit Rejection 728-734 MHz	75 dB min
Rx – Tx Isolation	75 dB min
Power Handling CW Peak	500 Watts 2500 Watts
Third Order Intermod	110 dBm min with two +43 dBm tones
Operating Temperature	-20 to +70 deg C
Connectors	Low IM 7/16 DIN Female
Size	9.53" x 6.74" x 2.76"

Typical Performance Data

