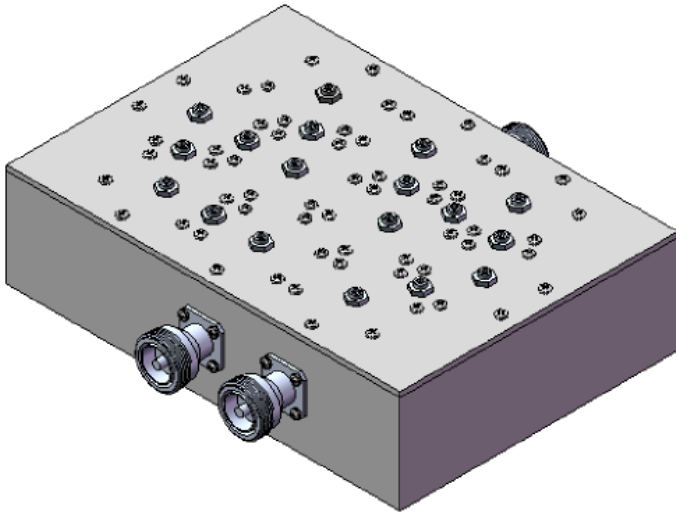


Lower 700 MHz Block B High Power Duplexer



PART NUMBER: WP-E019

- LCW's 700 MHz High Power Duplexer provides high transmit to receive selectivity while minimizing insertion loss.
- This unit is available from stock to support the installation requirement of service providers and infrastructure installers.
- The unit is available with temperature compensation and weatherproofing as an option for use in more extreme environmental conditions.

SPECIFICATIONS

| | |
|--|------------------------------------|
| Passbands Receive Transmit | 704-710 MHz 734-740 MHz |
| Passband Insertion Loss | 0.8 dB max |
| Passband Return Loss | 18 dB min |
| Antenna to Receive Rejection 704-710 MHz | 75 dB min |
| Antenna to Transmit Rejection 734-740 MHz | 75 dB min |
| Rx – Tx Isolation | 75 dB min |
| Power Handling CW Peak | 500 Watts 2500 Watts |
| Third Order Intermod | 110 dBm min with two +43 dBm tones |
| Operating Temperature | -20 to +70 deg C |
| Connectors | Low IM 7/16 DIN Female |
| Size | 9.53" x 6.74" x 2.76" |

Typical Performance Data

